

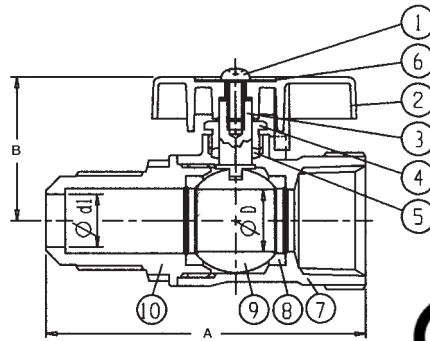
Gas Valve

GBV — Tamper Proof, Flare x FIP, Tee Handle

- 1/2 PSI for indoor appliance connections per ANSI Z21.15 & CGA 9.2
- 5 PSI for indoor shut-off per AGA 3-88, CGA 9.1, 9.2, and CR91-002



GBV/GCH



GBV/GCH



MATERIAL LIST		
PART	SPECIFICATION	
1. Screw	Steel AISI-1010	
2. Handle	Zinc B86	
3. Stem	Brass B16-C36000	
4. Stem Gland Screw	Brass B16-C36000	
5. Gland Packing	PTFE	
6. Name Plate	Aluminum B209-1100	
7. Body	Forged Brass B124-C37700	
8. Ball Seat	PTFE	
9. Ball	Brass B16-C36000	
10. End Piece	Forged Brass B124-C37700	

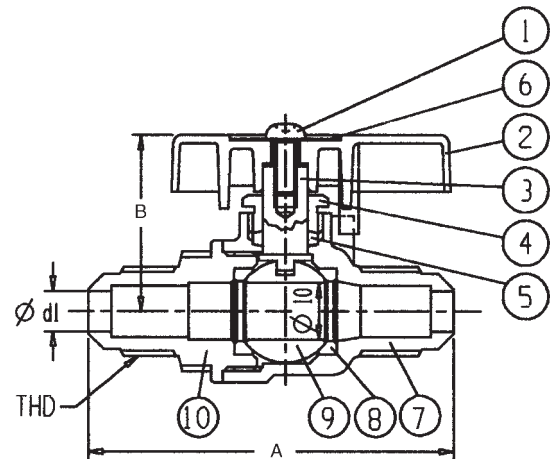
DIMENSIONS—WEIGHT							
Item	Size	Dim. A	Dim. B	Dim. D	Dim. d1	Weight	
GBV 3812	3/8" Flare x 1/2" Female	2.44	1.22	.39	.28	.35	
GBV12	1/2" Flare x 1/2" Female	2.52	1.22	.39	.39	.44	
GBV 1516	5/8" Flare x 3/4" Female w/15/16-16 Flare Thread	3.03	1.38	.59	.50	.58	
GCH	3/8" Flare x 1/2" Female w/9/16-24 Fine Flare Thread	2.44	1.22	.39	.28	.35	

GBV 38FL/GBV12FL — Flare x Flare, Lever Handle

- 1/2 PSI for indoor appliance connections per ANSI Z21.15 & CGA 9.2
- 5 PSI for indoor shut-off per AGA 3-88, CGA 9.1, 9.2, and CR91-002



GBV38FL/GB12FL



GBV38FL/GB12FL



MATERIAL LIST		
PART	SPECIFICATION	
1. Screw	Steel AISI-1010	
2. Handle	Zinc B86	
3. Stem	Brass B16-C36000	
4. Stem Gland Screw	Brass B16-C36000	
5. Gland Packing	PTFE	
6. Name Plate	Aluminum B209-1100	
7. Body	Forged Brass B124-C37700	
8. Ball Seat	PTFE	
9. Ball	Brass B16-C36000	
10. End Piece	Forged Brass B124-C37700	

DIMENSIONS—WEIGHT							
Item	Size	Dim. A	Dim. B	Dim. D	Dim. d1	Weight	
GBV 38FL	3/8" Flare	2.52	1.22	.39	.28	.32	
GBV12FL	1/2" Flare	2.64	1.22	.39	.39	.36	